



Systems Includes:

- ▶ 1 EON® MusicMix 10 Stereo Mixer
- ▶ 2 EON® Power 10 Speaker/Monitors
- ▶ 2 JBL E50S Dynamic Microphones
- ▶ All Necessary Cables

Key Features:

EON® Power10

- ▶ Lightweight and Rugged for Portability
- ▶ Internally Bi-Amplified 2-Way Loudspeaker
- ▶ 1" Pure Titanium Diaphragm Compression Driver with Patented Diamond Surround
- ▶ 90° x 60° Controlled Directivity Horn
- ▶ Proprietary 10" DCD® Low Frequency Transducer Delivers High Power Handling, Low Distortion, and Light Weight
- ▶ Switchable Mic or Line Level Input
- ▶ Thermomaster® Total Thermal Management System® - Die-Cast Aluminum Baffle Provides More Effective Cooling for Speaker and Amplifiers

EON® system *power10*

EON® JBL

Portable Performance System

EON® Power10, continued

- ▶ Integral Attachment Points for Optional Wall-Mount Bracket (EON BRK2)
- ▶ 35mm Pole Mount With Tension Screw

EON® MusicMix 10

6 Mono Mic/Line Inputs

- ▶ XLR Female Microphone Input and 1/4" TRS Line Input
- ▶ Signal Present and Peak Overload Indicators
- ▶ Trim Control
- ▶ 3 Band EQ (Peaking/Shelving Type)
- ▶ Effects and Monitor Send Level Controls
- ▶ Pan Control

2 Stereo Line Inputs

- ▶ Stereo RCA and 1/4" Line Inputs
- ▶ Signal Present Indicators
- ▶ 2 Band EQ (Shelving Type)
- ▶ Effects and Monitor Send Level Controls

Master Controls and Outputs

- ▶ 4 Balanced XLR Outputs: Left, Right, Subwoofer, and Monitor
- ▶ 12 Segment Peak-Hold LED VU Meters
- ▶ 1/4" TS Mono Effects Send and Stereo Effects Return
- ▶ Separate Effects Return Level Controls for Mains and Monitors
- ▶ Left/Right Balance Control
- ▶ Stereo/Mono Switch
- ▶ Stereo Headphone Output with Level Control
- ▶ Stereo RCA Tape Outputs
- ▶ 14 Volt Phantom Power for Condenser Microphones



Specifications (Power10)

Performance:

Frequency Range (-10 dB):	60Hz to 18 kHz
Frequency Response (-3 dB):	80 Hz to 16 kHz
Enclosure Alignment:	6th Order
Long-Term Continuous SPL ¹ :	112 dB
Long-Term Peak SPL ² :	118 dB

Controls & Indicators:

Switches & Controls:	Level Control Mic/Line Switch
Indicators:	Power LED (front panel) Signal Present LED Peak Level LED Mic/Line Status LED
Power Switch:	On Rear Panel

Input:

Audio Input / Connectors:	Balanced Differential for Line and Mic, One Male XLR-type. One Female XLR-type for Loop-Through to Additional EON Powered Speaker or Subwoofer
Input Impedance:	Line: 20k Ω Mic: 2k Ω
Sensitivity:	Line: +4 dBu Mic: -60 dBu
Maximum Input Level:	Line: +28 dBu Mic: 0 dBu

Protection:

Input Protection:	RFI and Level Protected
Over Excursion Protection:	2nd Order High-Pass Filter
Low Line Voltage Shut Down:	At 50% of Nominal Line Voltage
Thermal Protection:	Amplifier Shut Down and Auto Reset
Muting:	5 Seconds at Turn-On

LF Transducer:

Diameter:	250 mm (10 in)
Power Handling ³ :	125 Watts

HF Driver & Horn:

Diaphragm Diameter:	25 mm (1 in)
Power Handling ³ :	20 Watts
Dispersion Angle (H x V):	90°x 60°

AC Line Input Voltage:

Nominal Input Voltage:	US: 120 V, 60 Hz Europe: 230 V, 50 Hz Japan: 100 V, 50-60 Hz Korea: 220 V, 60 Hz
AC Input Connector:	IEC Male Connector
Loop-Through to Additional EON	
Powered Speaker:	IEC Female Connector

LF Power Amplifier:

Rated Power:	60 Watts
Rated THD:	0.1%

HF Power Amplifier:

Rated Power:	25 Watts
Rated THD:	0.1%

General:

Baffle:	Die-Cast Aluminum
Enclosure:	UL 94HB Polypropylene
Dimensions (H x W x D):	19.4 x 14 x 12.1"
Internal Volume:	1.0 cu. ft.
Weight:	27 lb.

Specifications (MusicMix 10)

Maximum System Voltage

Gain:

Mic Input to Main Output:	74 dB
Line Input to Main Output:	52 dB
CD or Tape Input to Main Output:	42 dB
Effects Returns to Main/Monitor:	42 dB
Mic Input to Tape Output:	46 dB
Line Input to Tape Output:	26 dB

Maximum Input Levels:

Mic Input:	+22 dBu
Line Input:	+22 dBu
Auxiliary Inputs:	+22 dBu



Specifications, (MusicMix 10), continued

Input Impedance:

Mic Input:	3k Ω
Auxiliary Input:	20k Ω

Output Level:

Balanced:	+22 dBu
Unbalanced:	+22 dBu

Output Impedance:

Balanced:	150 Ω
Unbalanced:	150 Ω

Headphone Output:

Output Level:	9V rms Into 600 Ω (140 mW)
Output Impedance:	51 Ω

EQ:

LF:	Shelving Type, 63 Hz
MF:	Peaking Type, 2.5 kHz
HF:	Shelving Type, 12.5 kHz
Boost/Cut:	\pm 12 dB

General:

Frequency Response:	20 Hz - 20 kHz, \pm 0.5 dB
Noise:	-90 dB
THD:	<0.005%
SMPTE IMD:	<0.005%

AC Line Input Voltage:

Nominal Input Voltage:	US:	120 V, 60 Hz
	Europe:	230 V, 50 Hz
	Japan:	100 V, 50 - 60 Hz
	Korea:	220 V, 60 Hz

Package Size:

Dimensions (H x W x D):	6.6 x 17.3 x 15.5"
Weight:	14 lb.

1 Per industry practice, "Long-Term Continuous SPL" capability is computed from the power amplifier output capacity, the LF driver's 1W/1m sensitivity and its long-term power capability. This is the level the speaker can sustain for a minimum of 100 hours continuously. In this model the HF driver's Long-Term Continuous SPL capability is 2dB higher.

2 "Long-Term Peak SPL" capability is computed by adding 6 dB to the long-term rating to account for momentary peaks in program material, per the 6dB crest factor in the continuous pink noise test signals.

3 Continuous band-limited (50 - 500 Hz) pinknoise input with 6 dB crest factor for 100 hours.

Product Description:

The EON Power10 System is a complete, ready to operate, easy to use, high performance portable PA system consisting of two EON Power10 biamplified powered loudspeakers, one EON MusicMix 10 stereo mixer, two JBL E50S dynamic microphones and the necessary cables to hook everything up.

Conceived and engineered as a total system, hums and buzzes are things of the past. All of the components work with each other, not against each other as sometimes happens with separate components. One doesn't need to have a degree to set up and operate the EON Power10 System. Gone are the days of "ground lift" AC adapters, special cables and the funny little adapters that let you hook up to your system.

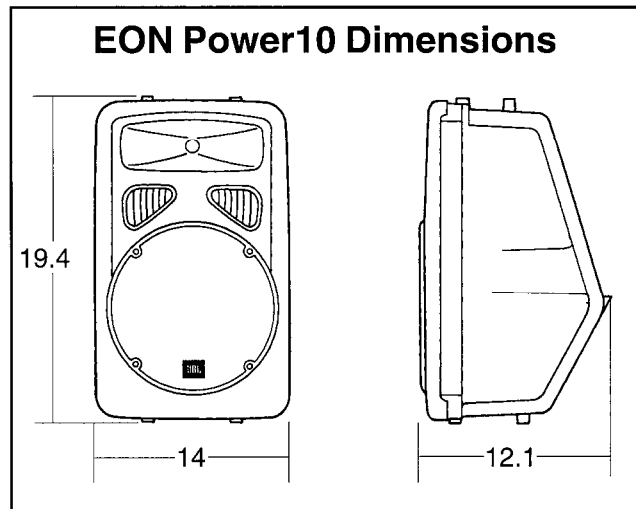
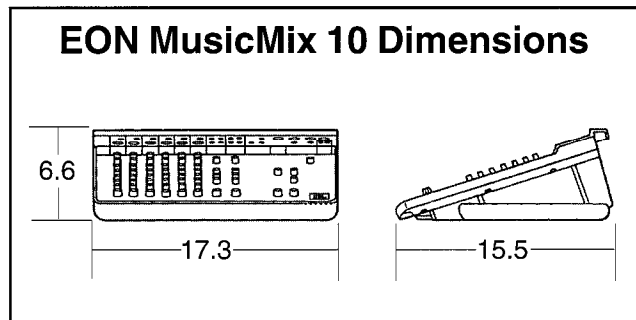
At the heart of the system is the EON MusicMix 10 stereo mixer, featuring 6 microphone inputs and 2 stereo line inputs for a total of 10 channels. Each microphone input channel has Signal Present and Peak LED indicators, a trim control which will allow the microphone inputs to handle line or instrument levels, low, mid and high frequency equalization that is non-interactive for superior sound characteristics, an effects send, and a pre-fader monitor channel. The two stereo line input channels have both RCA and 1/4" phone jacks to interface with all types of playback and signal processing equipment. The line inputs also have low and high frequency equalization and effects and monitor sends. A stereo effects return can be independently sent to either the left and right main outputs or monitor output via separate controls. Left, Right, Subwoofer and Monitor outputs have balanced XLR connectors to provide easy hassle-free hook up to the powered speakers, subwoofers and monitor speakers.

The EON Power10 is a 10 inch 2-way powered loudspeaker. The Power10 is a biamplified system, incorporating a 60 watt power amplifier for the low frequency section, and 25 watt power amplifier for the high frequencies. The system is a light weight, rugged and



Product Description, continued

roadworthy speaker enclosure that incorporates a die-cast aluminum baffle and a structural polypropylene enclosure designed for portable applications. Careful attention has been paid to the integration of the low and high frequency driver power response to ensure that the overall system frequency response remains smooth and consistent both on and off axis. Known as flat power response, this performance characteristic is essential for good articulation and accurate reproduction of speech because there are no holes in the critical mid-range response of the system. Designed for multipurpose usage, the Power10 may be driven from a mixer or from a single microphone or line-level source connected directly to the speaker, greatly increasing the flexibility of the entire system. The Power10 also features an angled enclosure that allows the speaker to be tilted back and used in a stage monitor position.



All Dimensions in Inches



JBL continually engages in research related to product improvement. New materials, production methods, and design refinements are introduced into existing products without notice as a routine expression of that philosophy. For this reason, any current JBL product may differ in some respect from its published description, but will always equal or exceed the original design specifications unless otherwise stated.

JBL Professional
8500 Balboa Boulevard, P.O. Box 2200
Northridge, California 91329 U.S.A.

H A Harman International Company

SSEON PWR10SYSTEM
CRP 20M
597